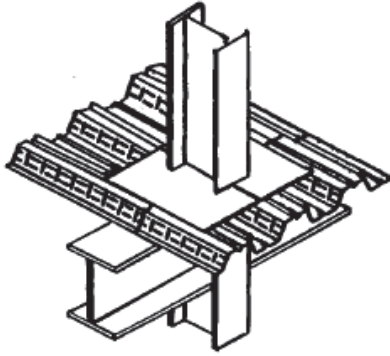
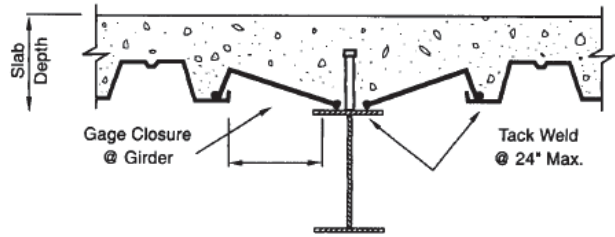


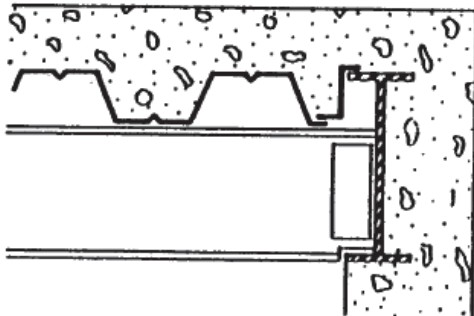
# COMPOSITE DECK DETAILS



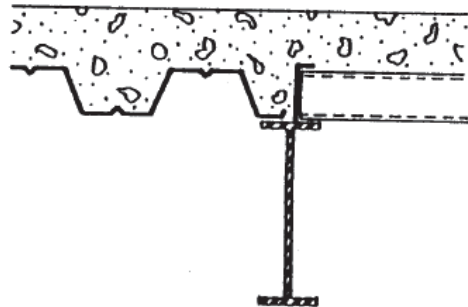
**COLUMN CLOSURE**



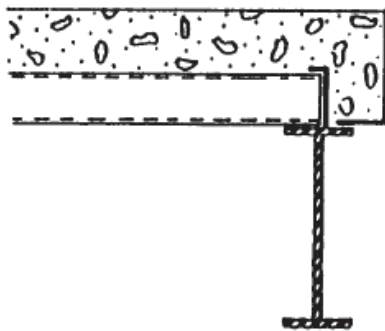
**GAGE CLOSURE AT GIRDER**



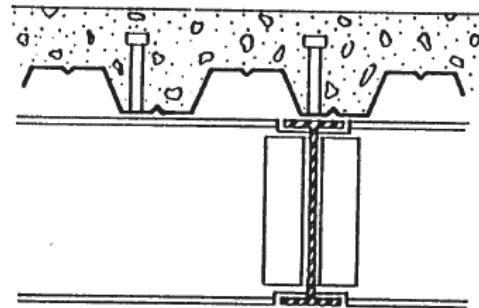
**"Z" CLOSURE**



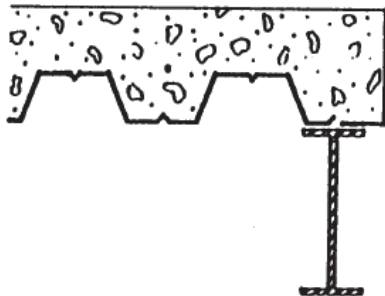
**CELL CLOSURE**



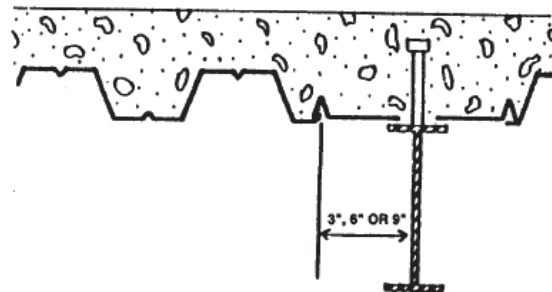
**POUR STOP AT END**



**STUD LOCATIONS**



**POUR STOP AT SIDE**



**GIRDER FILLER**